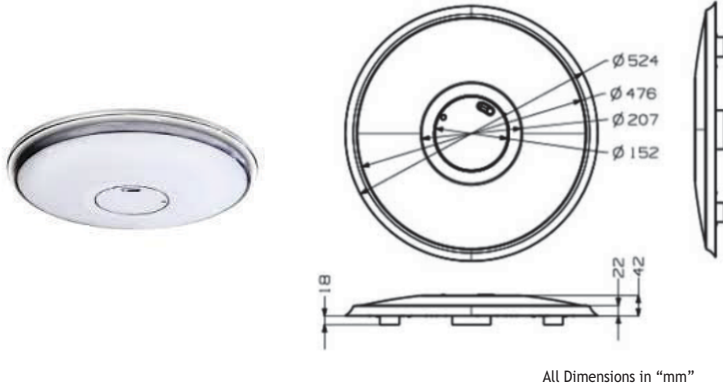


Intel



Specifications & Features

- * Flexible brightness adjustment through remote
- * Integrated Night Light option
- * Lower energy consumption, 60% energy saving
- * Isolated constant current driver with > 95% power factor
- * More than 85% driver efficiency
- * Wide operating voltage 100 - 265Vac
- * Color Rendering Index (CRI) >= 75
- * Working ambient temperature -20°C to +45°C
- * Rated life 35,000 Hrs (Ta = 30°C @ L70)
- * High Intensity of illumination with 120° beam angle
- * Uniform diffuse & excellent glare control
- * Instant start without ripple wave, flash
- * Electric wave & radio interference free
- * Without mercury, UV & IR radiation
- * IP 20 Ingress Protection

Applications

- * Hotel
- * Office
- * Hospitality
- * Auditorium
- * Dome Lighting
- * Reception Areas
- * Residential

Installation & Maintenance

- * Feasible for Surface Mounting
- * Power Supply should be disconnected before service

Note : Earthing (⊕) must be connected properly to avoid any premature failure.



Technical & Ordering Information

Product ID / Ordering Code	Product Description	Wattage(W)	Nominal Voltage(V)	Mains Current(A)	CCT (K)	Lumen (lm)
VL/CDL-601-LED04830	Intel LED Ceiling Light48/WW	48	230	0.22	3000	3700
VL/CDL-601-LED04840	Intel LED Ceiling Light48/NW	48	230	0.22	4000	3700
VL/CDL-601-LED04857	Intel LED Ceiling Light48/PW	48	230	0.22	5700	4200
VL/CDL-601-LED04865	Intel LED Ceiling Light48/CW	48	230	0.22	6500	4200

Intensity Distribution Diagram

Light Intensity curve for reference only

