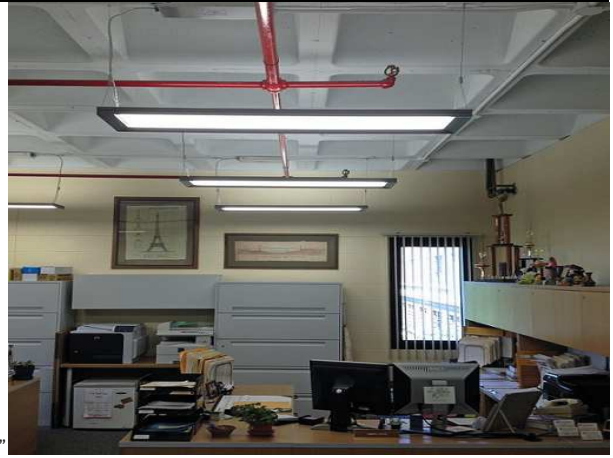
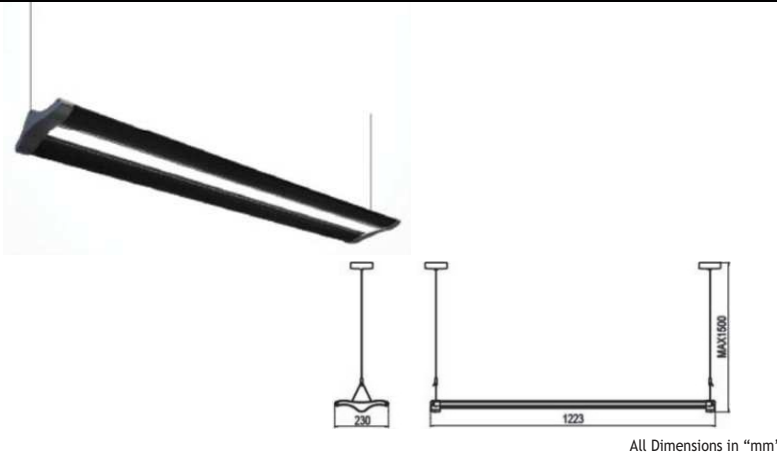


I-Deco



Specifications & Features

- * Integrated injection thermo-bio plastic housing frame with highly efficient PC Opal diffuser
- * High energy saving Vis a Vis Traditional fluorescent- 50% compared to CFL/FTL luminaires
- * Direct and Indirect lighting offer more comfortable atmosphere
- * Constant current driver with PF > 95%
- * More than 85% driver efficiency with < 20% Current THD
- * Equipped with 2.5KV Surge protection
- * Wide operating voltage 100 - 265Vac
- * Color Rendering Index (CRI) > 80
- * Working ambient temperature -20°C to +45°C
- * Rated life 30,000 Hrs (Ta = 30°C @ L70)
- * High intensity of illumination with 100° beam angle
- * Uniform diffuse & excellent glare control
- * Instant start without flash & humming
- * Electric wave & radio interference free
- * Without mercury, UV & IR radiation
- * IP 20 Ingress protection

Applications

- * Offices
- * Institutional
- * Factories
- * Store
- * Engineering lab
- * Conference hall
- * Hospitality

Installation & Maintenance

- * Suspension cable with remote driver enclosure
- * Power supply should be disconnected before service

Note: Earthing (⊕) must be connected properly to avoid any premature failure.

LED

COMPLIANCE



Technical & Ordering Information

Product ID / Ordering code	Product Description	Wattage (W)	Nominal Voltage (V)	Mains Current (A)	CCT (K)	Lumen (lm)
VL/ITL-600-LED05440	I-Deco Suspended LED Luminaire 54/NW L1200	54	230	0.247	4000	3900
VL/ITL-600-LED05465	I-Deco Suspended LED Luminaire 54/CW L1200	54	230	0.247	6500	4200

Intensity Distribution Diagram

Light intensity curve for reference only

